



KAPTIV[®]-CS-HP

High pressure electronic level sensed condensate drain

PRODUCT FEATURES

The KAPTIV-CS-HP is a compact electronically operated level sensed condensate drain which offers zero air-loss during the condensate discharge cycle for applications up to 50 bar.

The KAPTIV-CS-HP is cost effective and offers a rapid pay-back period due to a competitive pricing level, low stocking cost, zero air-loss and energy saving aspects.

The KAPTIV-CS-HP can be installed in all compressed air system components up to 100 m³/min regardless of size and climate zone – only 1 model needed!

The robust industrial housing, the alarm feature and the 2/2 way direct acting valve assembly make the KAPTIV-CS-HP a reliable solution for all compressed air system applications.

The KAPTIV-CS-HP offers an integrated mesh strainer (to prevent large particles from entering the valve orifice), is easy to disassemble and is service friendly.

The alarm feature can be connected to the JORC WARNER[®] to never miss out on periodic maintenance opportunities.



**High pressure
up to 50 bar**

COMMERCIAL BENEFITS

- Competitive compact zero air-loss draining solution.
- Capacitive level sensing technology saves air, energy and money.
- Rapid pay-back period due to competitive pricing level and reduced stocking costs.
- 1 model covers up to 100 m³/min. compressor capacity.
- No sizing charts required.
- The KAPTIV-CS-HP can be connected to the JORC WARNER[®].
- Special module colours available for private label branding purposes.
- Operating pressure up to 50 bar.

TECHNICAL ADVANTAGES

- Alarm function (NO or NC) as a standard.
- Easy installation.
- Visual display of operating status.
- Integrated strainer.
- Direct acting valve assembly, ensuring reliable discharge operation.
- Robust aluminium housing.

Opportunity:

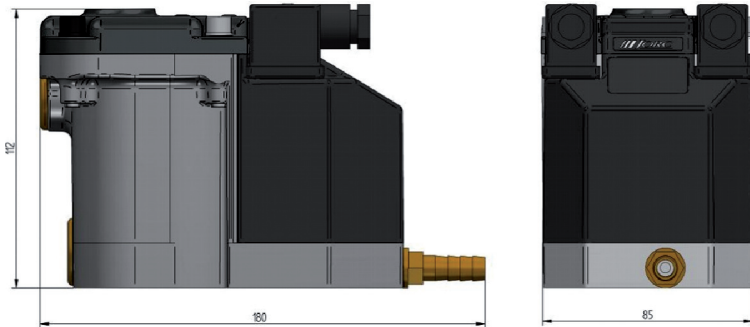
The **KAPTIV[®]-CS-HP** can be connected to the **JORC WARNER[®]** (compressed air condensate management warning system), offering you the advantage of being alerted when maintenance opportunities arise.



KAPTIV[®]-CS-HP

High pressure electronic zero air loss condensate drain

DIMENSIONS (mm)



SPECIFICATIONS

Maximum compressor capacity	100 m ³ /min.
Min./max. system pressure	0 bar / 50 bar
Valve type	2/2 way, direct acting
Valve orifice	1.8 mm
Valve seals	FPM
Inlet connection	1/2" (BSP or NPT)
Outlet connection	1/4" (BSP or NPT)
Inlet height	11 cm (top) and 1.5 & 7.5 cm (side)
Minimum medium temperature	1° C
Maximum medium temperature	50° C
Supply voltage options	230VAC / 115VAC 24VAC / 24VDC
Connectors	DIN 43650-B

Serviceable valve	Yes
TEST feature	Yes
Environmental protection	IP65 (NEMA4)
Integrated mesh strainer	Yes

Alarm contact options Alarm Normally Closed (NC) / Alarm Normally Open (NO)



Multiple (3) inlet options



Integrated mesh strainer to protect the valve.



The KAPTIV-CS-HP-S can be connected to the JORC WARNER[®] (consult factory for more information).

Three step disassembling to service the KAPTIV-CS range



1. Unscrew the 4 bolts



2. Remove the top part



3. Slide off the electronic module

JORC IS ISO 9001:2008 CERTIFIED



Information provided herewith is believed to be accurate and reliable. However, no responsibility is assumed for its use or for any infringement of patents or rights of others, which may result from its use. In addition, JORC reserves the right to revise information without notice and without incurring any obligation.

JORC Industrial BV Tel +31 45 524 24 27
 Pretoriastraat 28 Fax +31 45 524 19 79
 NL-6413 NN Heerlen E-mail info@jorc.nl
 The Netherlands http:// www.jorc.eu